

2.

2.5

PVC-U WINDOW SYSTEMS

FULLY REVERSIBLE WINDOWS – REHAU S706 70MM



Key Characteristics

- Allows easy manufacture of fully reversible windows in combination with fixed lights, tilt and turn and casement windows from the REHAU S706 system
- Designed to meet all common specifications
- Possible combinations include: top turn or side turn with fixed lights, tilt and turn and casement windows
- 70mm profile depth matches British architecture and is the ideal replacement for timber sections
- All external sections have a 50° chamfer for optimal aesthetic appearance and to match putty-line
- Integrates with the range of REHAU S706 supplementary profiles and sills.

Appearance

- Available in White, Mahogany, Golden Oak and Rosewood both sides as standard
- For other non-standard laminate options and the range of RAL colours available using our - Acryl II colour system please refer to page 46.

Reinforcement

- Totally separate reinforcement chambers in profiles enables galvanised steels to be inserted for additional strength when required
- For more information please consult our Reinforcement Guidelines ref. 700.620E. and 706.695EN.



1 Side Swing Option

Fittings and Hardware

- Accepts a wide range of popular hinge types
- Cockspur handles, espagnolette or shootbolt locking options
- All fittings can be fastened into metal reinforcement for additional strength/security
- Manufacturers recommendations on maintenance should be followed.

- REHAU S706 Approvals
- BS EN 12608 (BS 7412) KM 13358
 - BS 7950 KM 76189
 - PAS 23/24 KM 66461
 - BBA Report No's 1108 and 1309

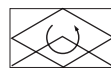
Glazing

- 4mm to 42mm glazing
- Internally beaded for security and ease of glazing
- Sloped, semi-sloped or featured co-extruded glazing beads for choice of aesthetics
- Co-extruded solid and cellular EPDM casement seal for optimum performance
- Integral head-drip for high performance and improved aesthetics.


Insulation

- Complies with the requirements of the Building Regulations covering Conservation of Fuel and Power - Part L (England and Wales) and Part J (Scotland) when glazed using the correct type of sealed unit
- Sound insulation is dependent on glazing specification. For more information please consult one of our Commercial Sales Managers.

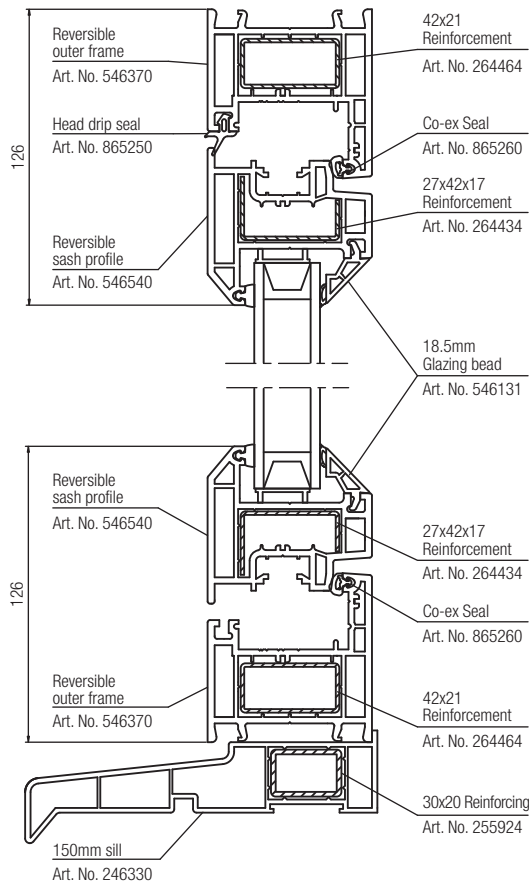
Fully reversible window



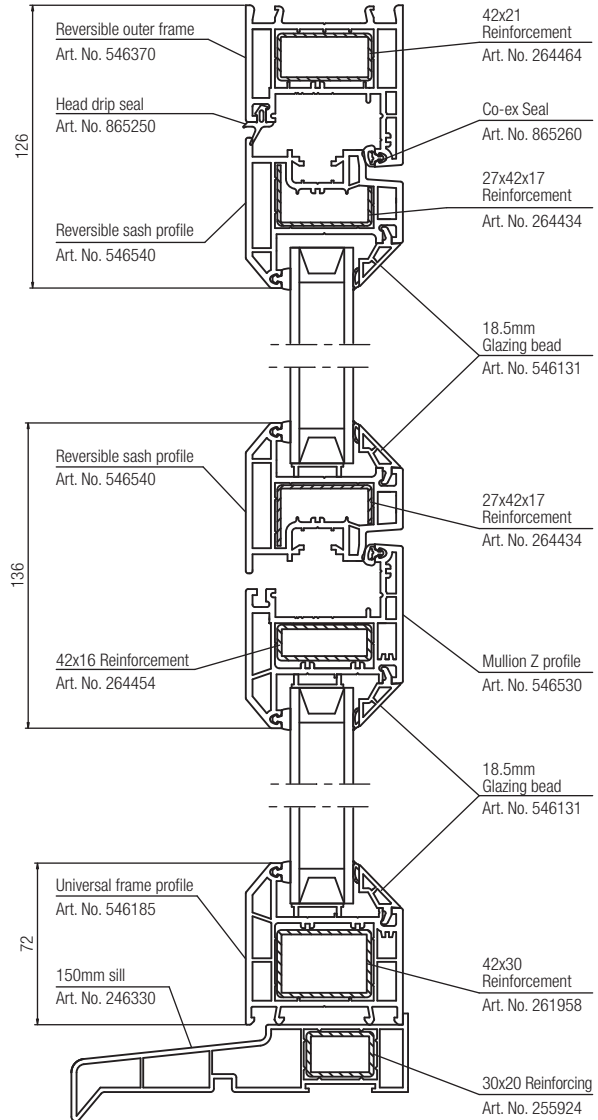
Maximum Sash Sizes		Maximum	
Sash	Finish	WxH cm	kg
Top Turn	White	138x138	60
Side Turn	White	90x120	60
Top Turn	Coloured/Foiled	138x138	60
Side Turn	Coloured/Foiled	90x120	60

 These sizes are for guidance only and are dependent on fittings and hardware used. Please consult REHAU for more detailed information.

70mm Fully reversible window
Top swing



70mm Fully reversible window
Top swing with fixed light



DETAILED DRAWINGS ARE AVAILABLE ON REQUEST