

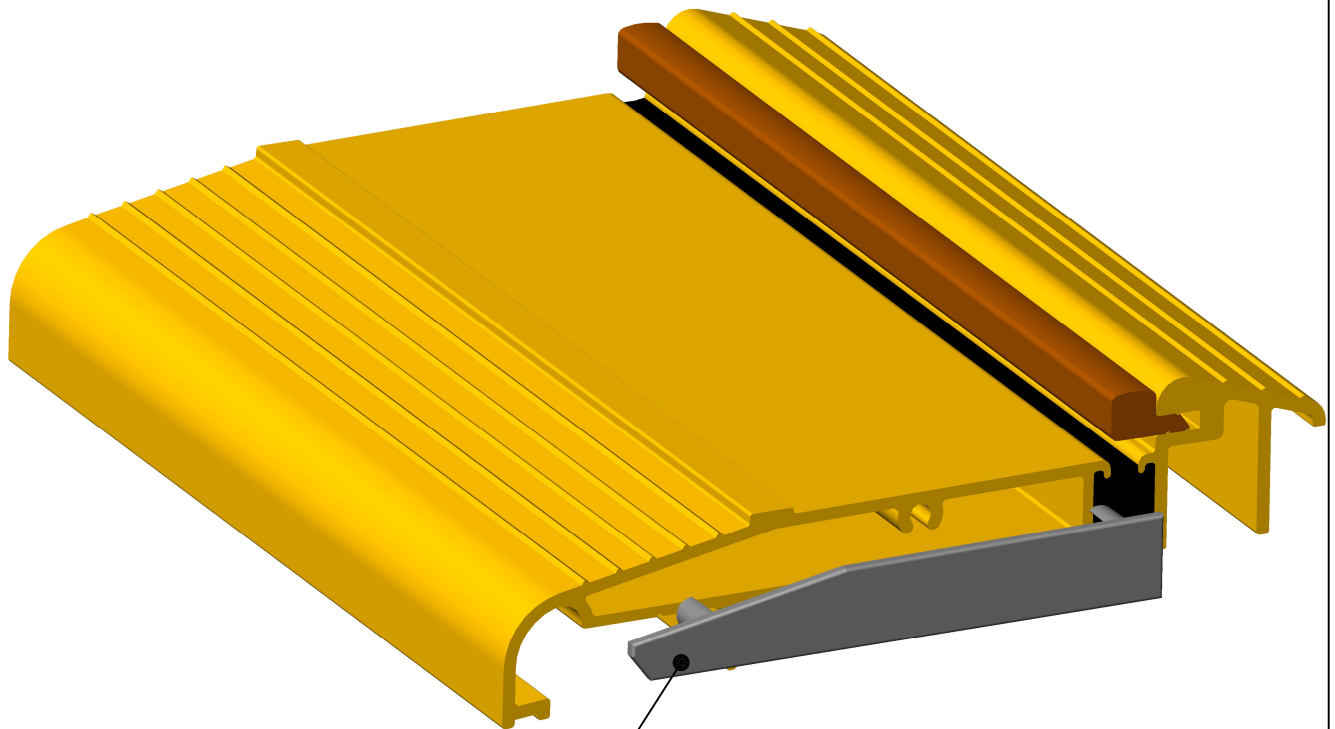
PROLINE AM - Low Threshold System

Scale 1:1 | PROLINE AM5EX SUBSILL OUTWARD OPENING THRESHOLD SILL

Code: 04CP294



Regency Mill, Chester Road, Macclesfield, Cheshire, SK11 8HR
Tel: 01625 613311 Fax: 01625 614434



PUSH FIT END CAPS (22CP244) SUPPLIED WITH PROLINE AM5EX

