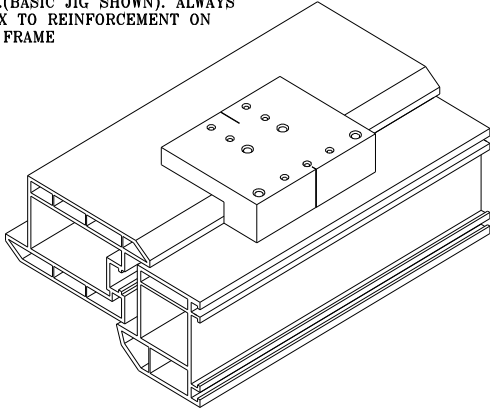


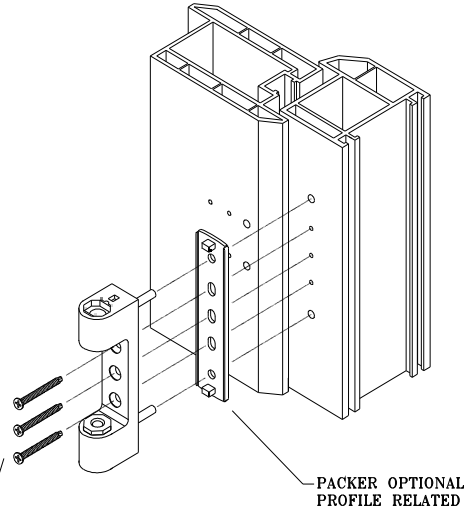
paddock

3D ADJUSTABLE HINGE MOUNTING INSTRUCTIONS

- ① POSITION HINGE JIG ON SASH/FRAME AND DRILL.(BASIC JIG SHOWN). ALWAYS TRY TO FIX TO REINFORCEMENT ON SASH AND FRAME

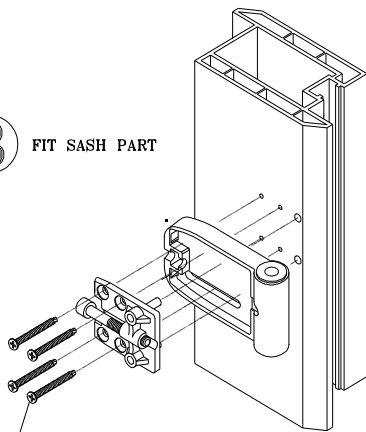


- ② FIT FRAME PART



RECOMMENDED FIXING SCREWS WHEN FIXING INTO REINFORCEMENT CSR 4.8 x (LENGTH TO SUIT INDIVIDUAL SECTIONS), Z FINISH.

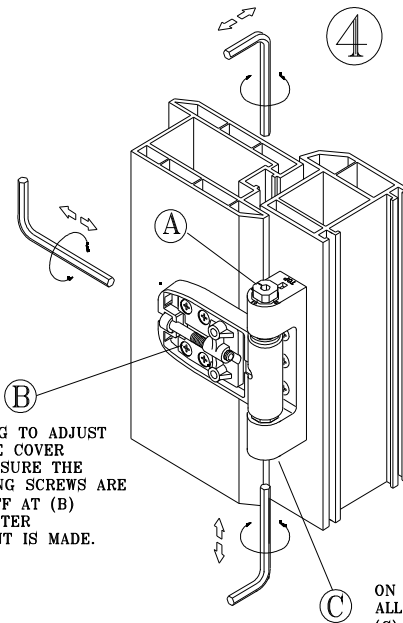
- ③ FIT SASH PART



RECOMMENDED FIXING SCREWS WHEN FIXING INTO REINFORCEMENT CSR 4.8 x (LENGTH TO SUIT INDIVIDUAL SECTIONS), Z FINISH.

- ④

INSERT HINGE PIN AND ALIGN PIN DATUM MARK ON HINGE BODY SO ALL HINGES ARE SET THE SAME AT (A) ON WISHING TO ADJUST THE PIN AGAIN, PUSH THE ALLEN KEY THROUGH THE BOTTOM OF THE HEIGHT ADJUSTER CAM UNTIL THE PIN IS FLUSH WITH THE TOP OF THE FRAME CASTING. ADJUST AND TAP PIN BACK INTO PLACE.

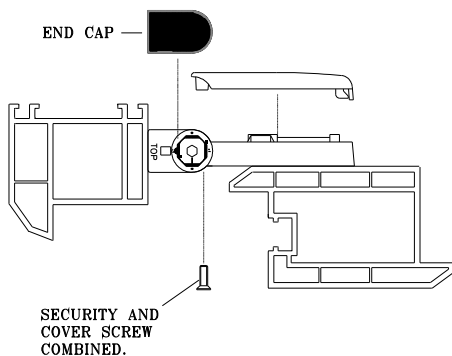


ON WISHING TO ADJUST THE FRAME COVER PLEASE ENSURE THE FOUR FIXING SCREWS ARE BACKED OFF AT (B) SECURE AFTER ADJUSTMENT IS MADE.

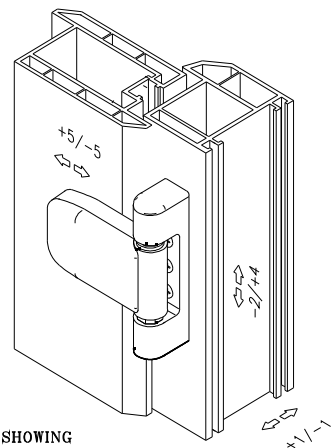
ON WISHING TO ADJUST HEIGHT, USE ALLEN KEY IN ADJUSTMENT CAM AT (C).

- ⑤

SCREW DOWN SECURITY AND COVER SCREW, AND APPLY END CAPS.



SECURITY AND COVER SCREW COMBINED.



HINGE FITTED SHOWING FULL ADJUSTMENT.