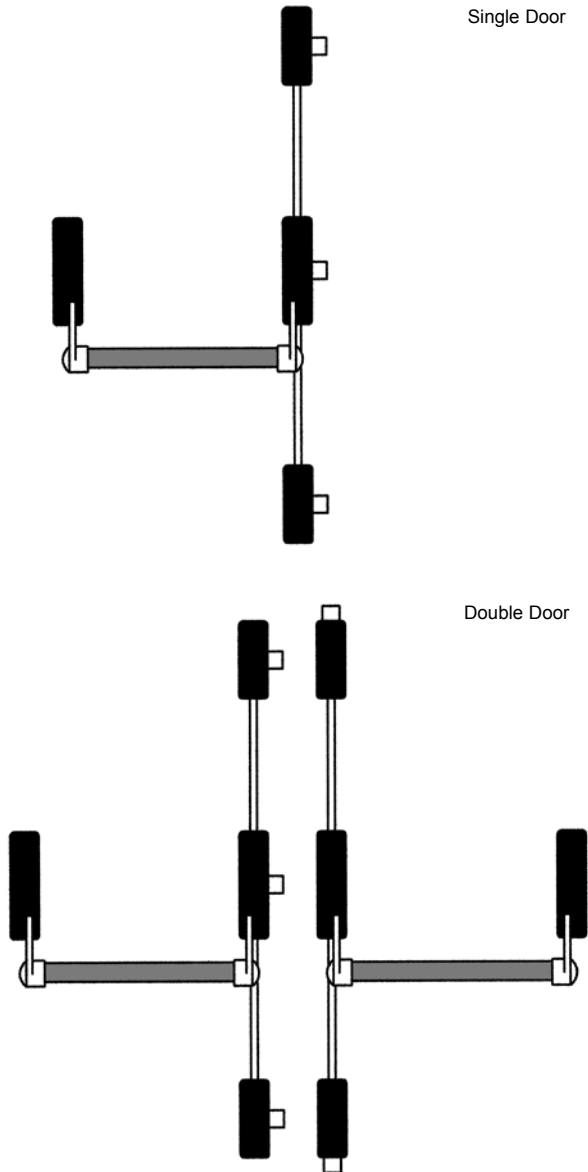


Technical Drawing



Mila Surface Mounted Panic Lock

- Surface mounted, multipoint locking panic door gear
- Versions available for both single and double doors
- Single door features 3 horizontal locking bolts
- Double door features 3 horizontal locking bolts on master leaf and twin vertical bolts on slave leaf
- External access kit available
- Non-handed
- Tested and certified to EN 1125
- EN 1125 Classification: 3 7 5 0 1 3 2 2 A



Part Numbers

Description	Type	Part No.
Master Panic Door Kit	Active Leaf	043961
Mila Panic Door Kit	Slave Leaf	043471
External Access Handle - Incl. Cylinder		043980
Mila Panic Door Push Pad		043983

Guarantees & Accreditations

Mechanical Guarantee	5 years
Labour Guarantee	2 years

to place your order simply call our sales team direct on 01327 312 400