

Rehau 70mm Bi-Fold Door Options

Bi-Fold door are available in either open out or open in styles, with only one choice of outer frame being the S706 72mm outer and 94mm bi-fold door sash (see Fig 1).

Profiles Used

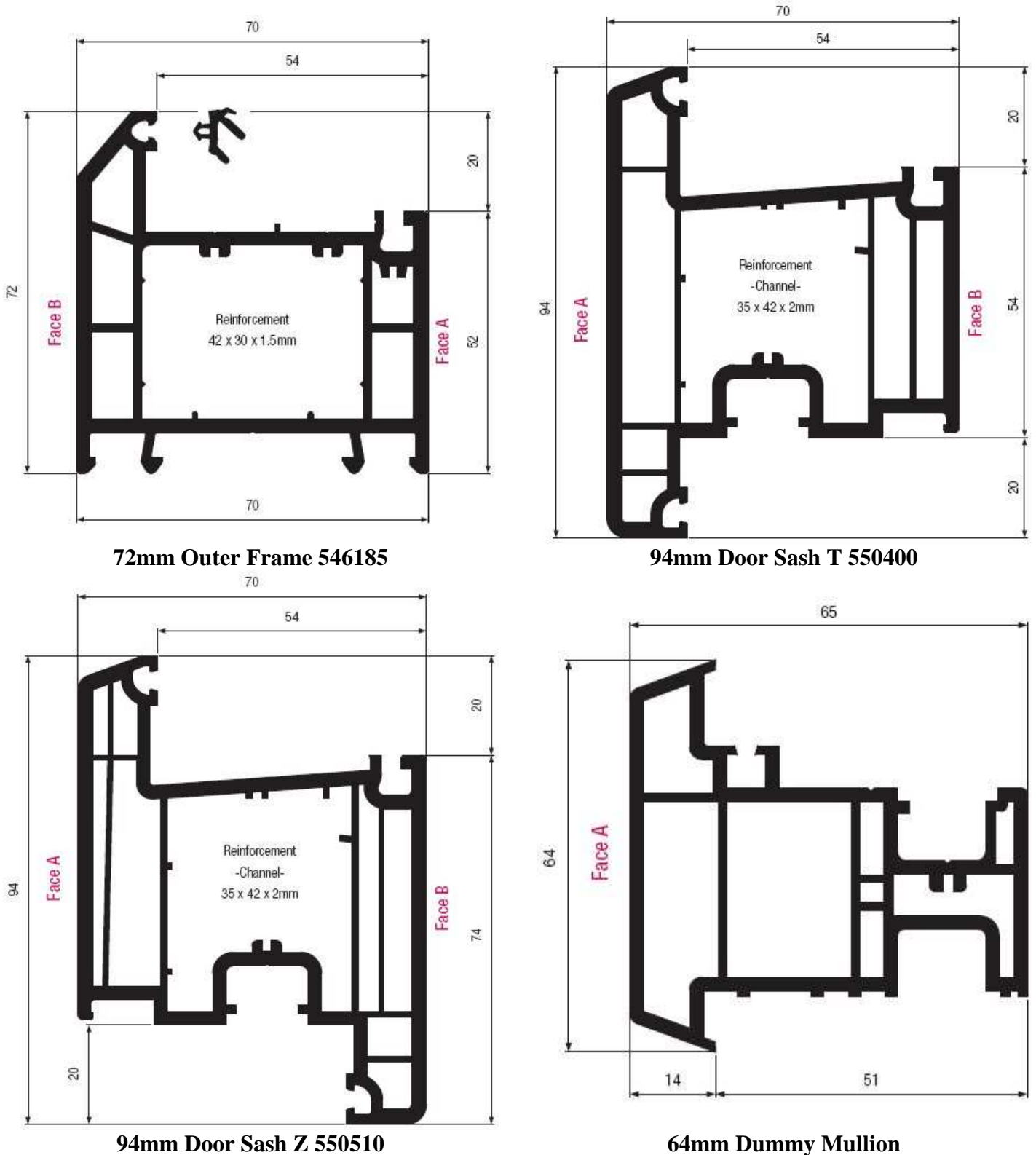


Fig 1

Rehau Minimum/Maximum Sizes Frame/Sash (see Fig 2)

Scheme	Art. No. 550730			
	External Door Art. No. 550080		Internal Door Art. No. 550080	
	min.	max.	min.	max.
321	1060	2770	1060	2770
330	1058	2768	1058	2768
431	1376	3656	1376	3656
541	1692	4000	1692	4542
550	1690	4000	1690	4540
523	1692	4000	1692	4542
651	2008	4000	2008	5000
633	2008	4000	2008	5000
761	2324	4000	2324	5000
770	2322	4000	2322	5000
743	2324	4000	2324	5000

Minimum/Maximum Outer Frame Sizes

Minimum and Maximum Multi-Fold Doors
Sash sizes
Minimum sash width (SW): 330mm
Maximum sash width (SW): 900mm
Maximum weight: 80kg/sash
Element
Maximum width White: 4000mm
Maximum width coloured: 3000mm
Maximum height White: 2300mm
Maximum height coloured: 2200mm

Minimum/Maximum Sash/Outer Sizes**Fig 2**

Maximum Hardware Sizes (see Fig 3)

The sizes below may differ from the sizes shown above as these are the hardware supplier's recommendations.

Minimum sash height for hardware – 880mm

Maximum sash height for hardware – 2400mm



Scheme 220*
Outer frame width up to 1.80 mm*



Scheme 330
Outer frame width up to 2700 mm*



Scheme 321
Outer frame width up to 2700 mm*



Scheme 440*
Outer frame width up to 3600 mm*



Scheme 431
Outer frame width up to 3600 mm*



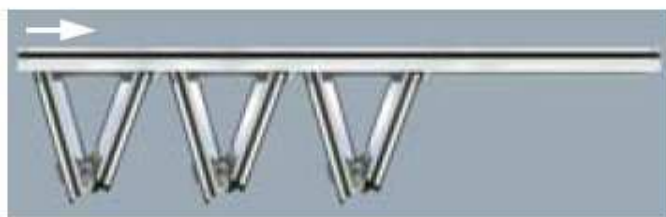
Scheme 550
Outer frame width up to 4000 mm*



Scheme 541
Outer frame width up to 4000 mm*



Scheme 532
Outer frame width up to 4000 mm*



Scheme 660*
Outer frame width up to 5400 mm*



Scheme 651
Outer frame width up to 5400 mm*



Scheme 633
Outer frame width up to 5400 mm*



Scheme 770
Outer frame width up to 6300 mm*



Scheme 761
Outer frame width up to 6300 mm*



Scheme 743
Outer frame width up to 6300 mm*

Fig 3

Colour Options

White, Mahogany, Rosewood, Light Oak.

Scheme options showing handle/hinge positions (see Fig 4).

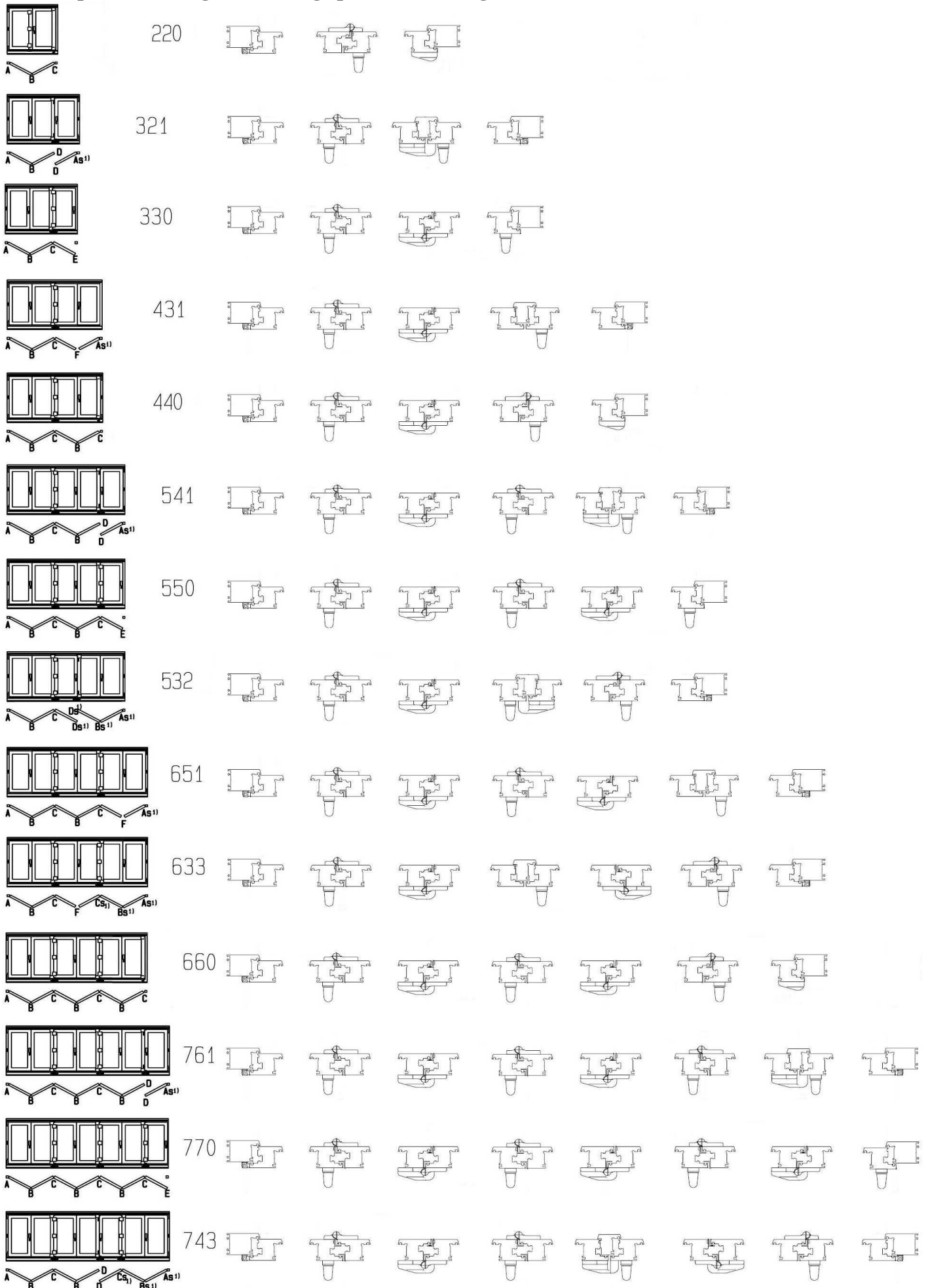


Fig 4

Running Track Options

Bi-Fold doors can have the main running track fitted to the top or bottom. There are also options on which add-ons are fitted to the outer frame top and bottom, with the standard being Option 1 (see Fig 5).

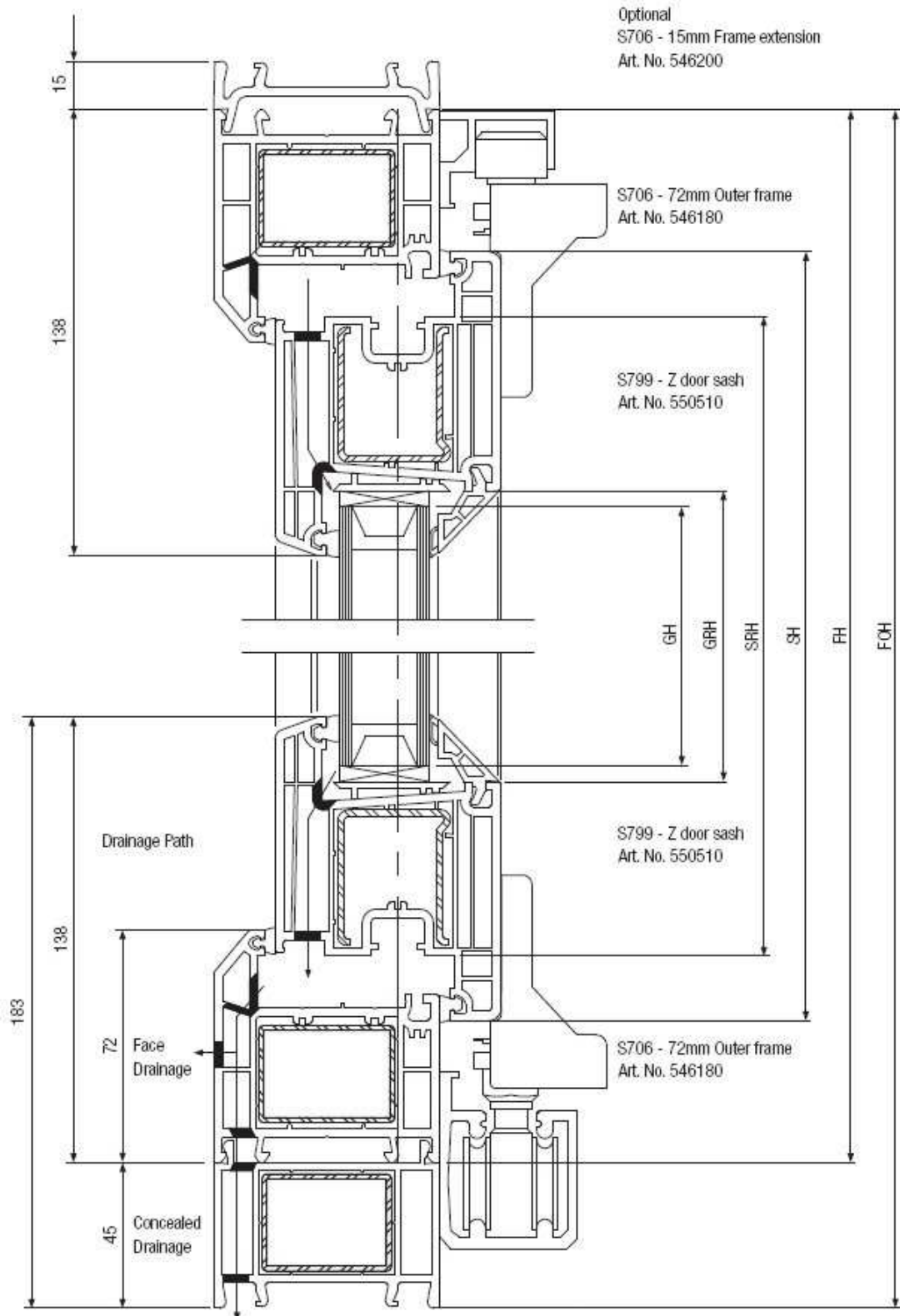


Fig 5

Option 1

45mm add-on fitted to the bottom of the frame, 15mm to the head and the main running track fitted to the bottom, leaving a clearance of 8mm from the bottom of the running track to floor level, and 17mm clearance from the top of the top running track to the ceiling level (see Fig 5).

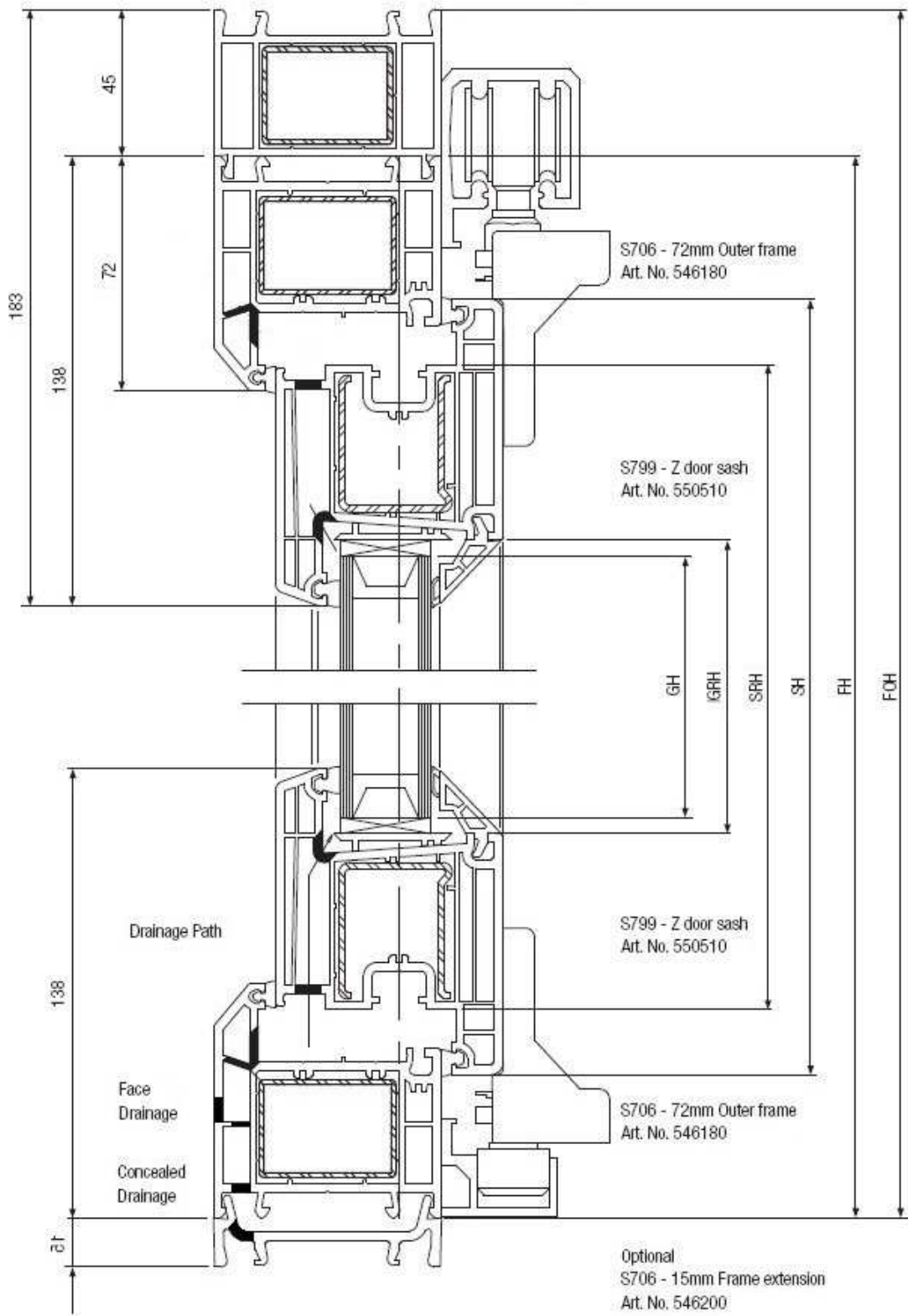


Fig 6

Option 2

45mm add-on fitted to the top of the frame, 15mm to the sill and the main running track fitted to the top, leaving a clearance of 17mm from the bottom of the running track to floor level, and 8mm clearance from the top of the top running track to the ceiling level (see Fig 6).

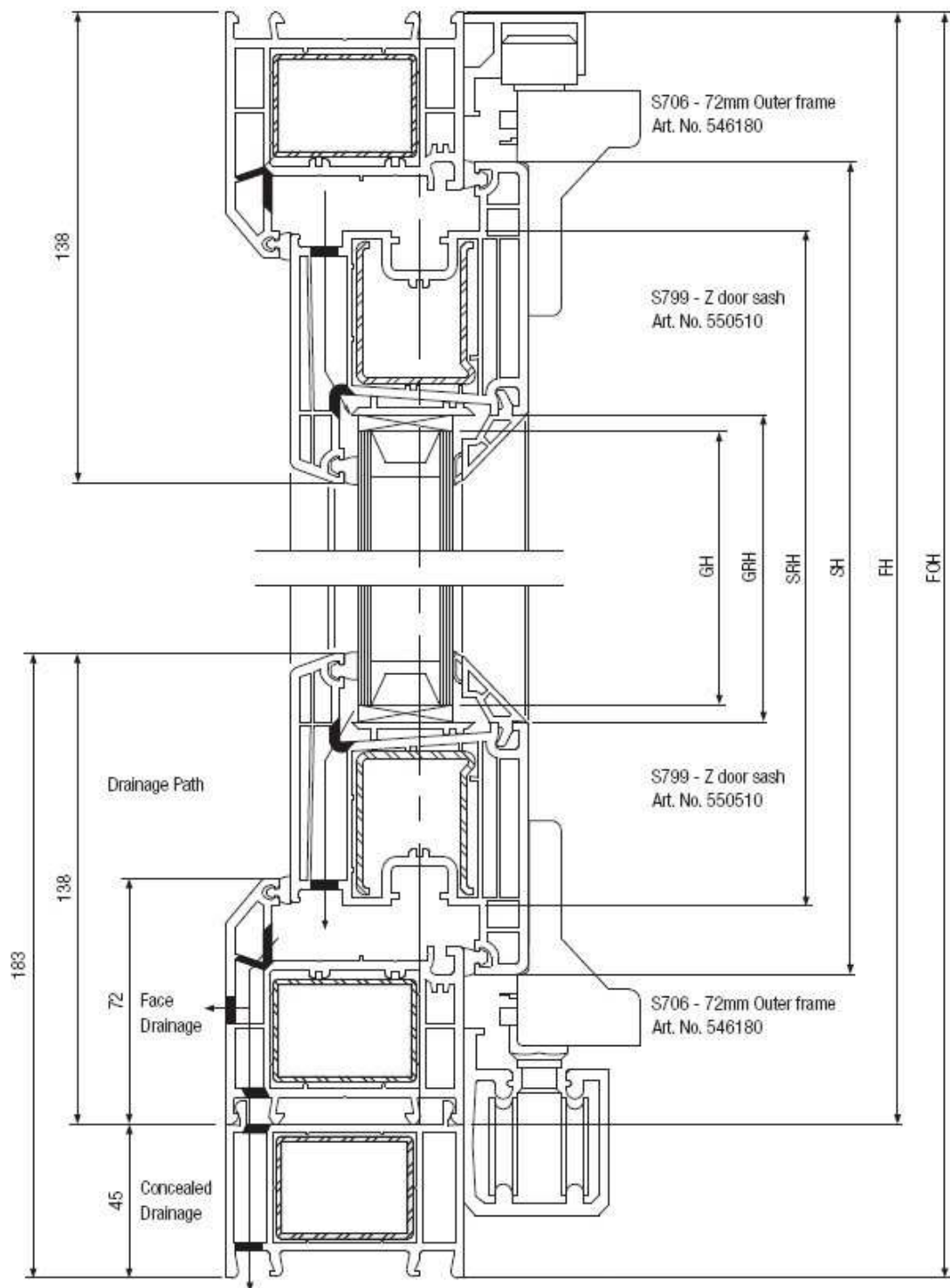


Fig 7

Option 3

45mm add-on fitted to the bottom of the frame, no add-on to the head and the main running track fitted to the bottom, leaving a clearance of 8mm from the bottom of the running track to floor level, and 2mm clearance from the top of the top running track to the ceiling level (see Fig 7).

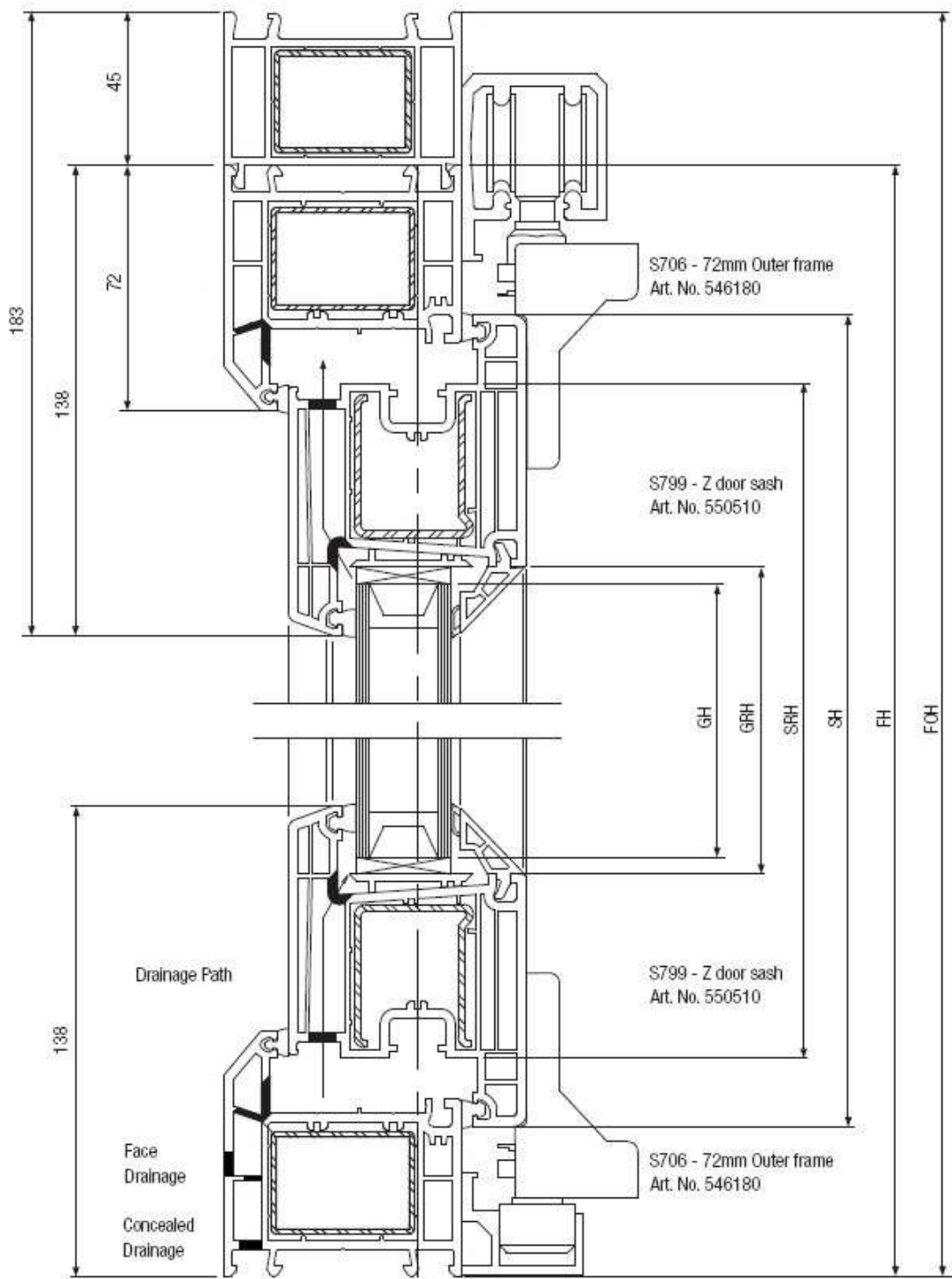


Fig 8

Option 4

45mm add-on fitted to the top of the frame, no add-on the sill and the main running track fitted to the top, leaving a clearance of 2mm from the bottom of the running track to floor level, and 8mm clearance from the top of the top running track to the ceiling level (see Fig 8).

Additional add-ons can be used to provide greater clearance top and bottom if required.

Drainage Options

Option 1 open in and open out available with face or base drainage.

Option 2 open in available with face or base drainage, and open out base drainage only.

Option 3 open in and open out available with face or base drainage.

Option 4 open in available with face or base drainage, and open out base drainage only.

Gasket Options

Black, grey or white weatherseal and glazing gasket (gaskets as used on Rehau Tritec 60mm system). Please note that the outer frame is only available with a black gasket.

Glazing Options

28mm glazing with choice of either sculptured or putty line bead (as used on Rehau S706 70mm system).

Vent Options

Vents can only be routed through the head of a 45mm add-on. If option 1 or option 2 is chosen then the 15mm add-on (option 1) can be replaced with a 45mm add-on, and option 2 a 45mm add-on added and the vent routed through that. For options 2 and 3 an additional 45mm add-on is used on top of the “Running Track Options” shown above.

Lock Options

Option 1 (Standard Option) – is to have a PZ lock fitted to the main sash with a locking cylinder below the handle.

Option 2 – is to have a tilt and turn drive gear fitted with no cylinder.

Option 3 – is to have a Paddock 2 Roller 2 Hook door lock fitted with cylinder.

Handle Options

Option 1 (Standard Option) – is to have a PZ handle (matches slave sash handles), with handle inside and out.

Option 2 – is to have a standard locking/non locking tilt and turn handle (matches slave sash handles), with handle inside or outside only.

Option 3 (Paddock lock only) – is to have a lever/lever door handle, which does not match the slave sash handles as the lever/lever handle runs horizontally and the slave sash handles vertically.

**Mark Somerville
Technical Manager
19/08/2010**